

# SPECIFICATIONS for LANHAI HERMETIC COMPRESSOR

R22

## QXR-41E

1PH, 220V – 50Hz

### Application Range

Compressor Cooling	Natural	
Eva. Temp. Range	-10°C ~ 12°C	14°F ~ 54°F
Condensing Temp.	65°C max.	149°F max.
Return Gas Temp.	35°C max.	95°F max.
Discharge gas Temp.	115°C max.	239°F max.
Motor Wire Temp.	130°C max.	266°F max.

### Rated Performance

Capacity	24004 Btu/7060 W
Motor Input	2360 W
Current	11.2 A
COP	2.991 W/W

### Compressor Data

Design	Rolling Piston Typed Rotary	
Displacement	41.7 cc/rev	
Oil / Oil Charge	SUNISO 4GSI / 700ml	
Weight	22.0 Kg	

### Motor Data

Motor Type	2 Pole Induction (PSC)	
Rated Output	2180 W	
Winding Resistance (at 25°C)	Main 1.104 Ω	Sub 4.412 Ω
Voltage Range	198 V to 242 V	
Locked Rotor Amps.	54.0 A	

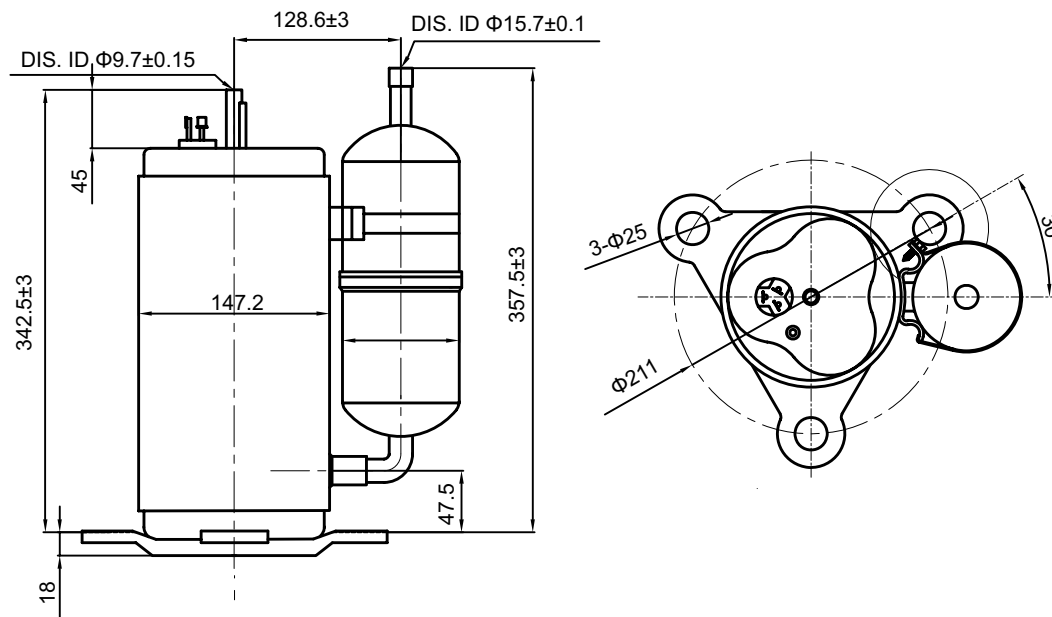
### Electrical Components

Running Capacitor	50 μF 450 VAC
Overload Protector	Internal Type

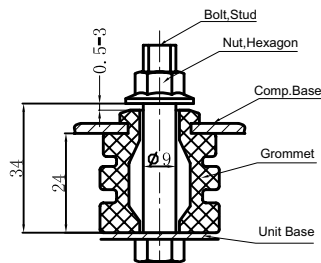
### Capacity Test Conditions

Evaporating Temp.	7.2°C	45°F
Condensing Temp.	54.4°C	130°F
Return Gas Temp.	35.0°C	95°F
Liquid Temp.	46.1°C	115°F
Ambient Temp.	35.0°C	95°F

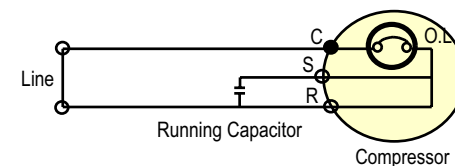
### Standard Dimensions(MM)



### Compressor Mounting



### Wiring Diagram



※ C.S.R mark is embossed on a Cover Terminal

Specifications are subject to change without notice.  
Normal Performance value ±5%.

Lanhai Compressor Co., Ltd \* Shuguang Road, Light Industrial District, Lanxi, Zhejiang, CHINA, 321100  
\* Phone: +86-579-8948507 Fax: +86-579-8948506 \* Email: sales@lanhaicomp.com \* <http://www.lanhaicomp.com>